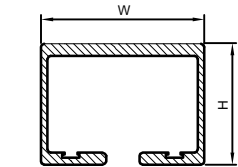
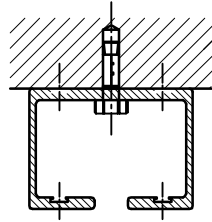
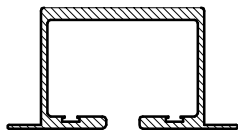
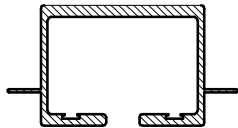


CEILING TRACK AND SOME EXAMPLES OF TRACK FIXINGS - TYPE 80ME

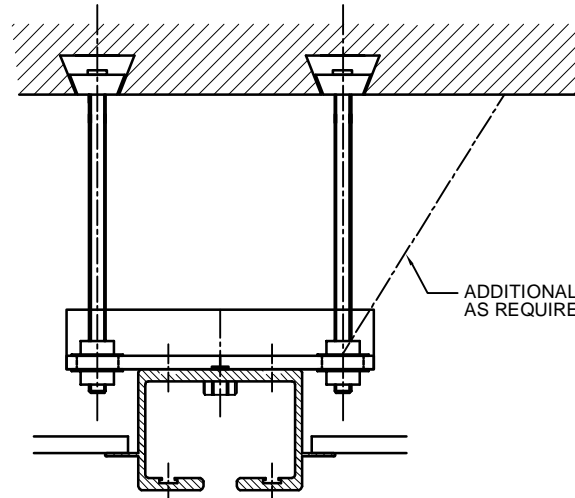
TYPE	H	W	MATERIAL
XXX	72	98	ALUMINIUM



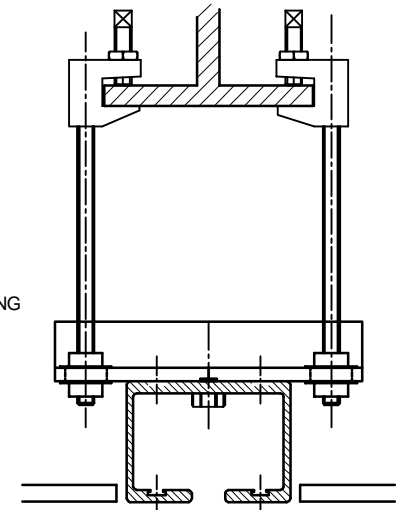
ALUMINIUM REFERENCE



1. Fixed to solid Concrete Soffit

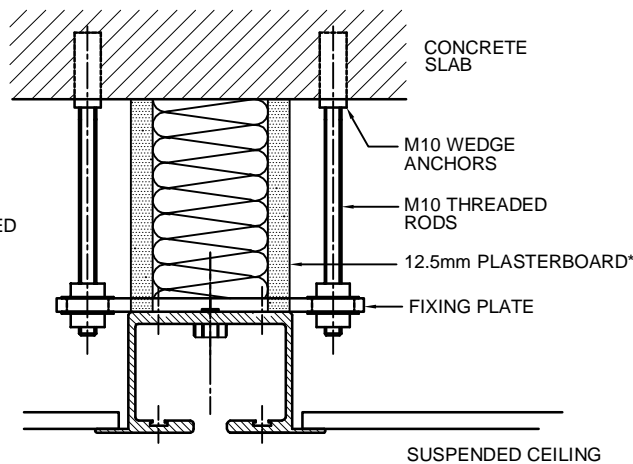


2. Fixed to structural Steel Tray



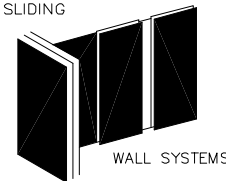
3. Fixed to Steel Beam using 'Lindapter Clamps'

*FOR HIGH LEVELS OF SOUND REDUCTION 2 DOUBLE SKIN OF PLASTERBOARD REQUIRED



4. Ceiling Void Baffle

MOVAWALL
ACOUSTIC SLIDING



MOVAWALL SYSTEMS LTD

63 BARWELL BUSINESS PARK
LEATHERHEAD ROAD
CHESSINGTON
SURREY
KT9 2NY

TELEPHONE: +44 (0) 20 8391 8790

FAX: +44 (0) 20 8391 8791

EMAIL: info@movawall.co.uk

DRG. NO.: SL - 802