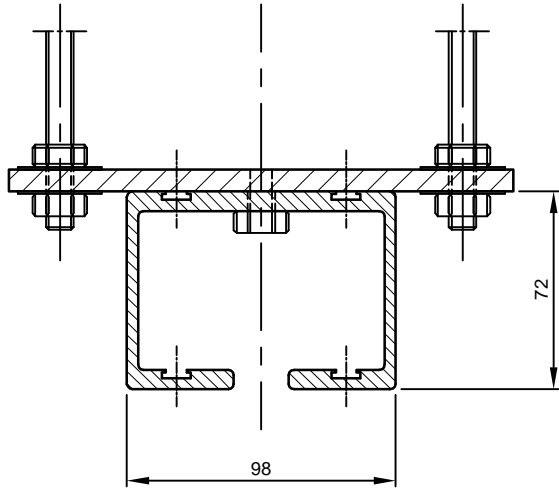
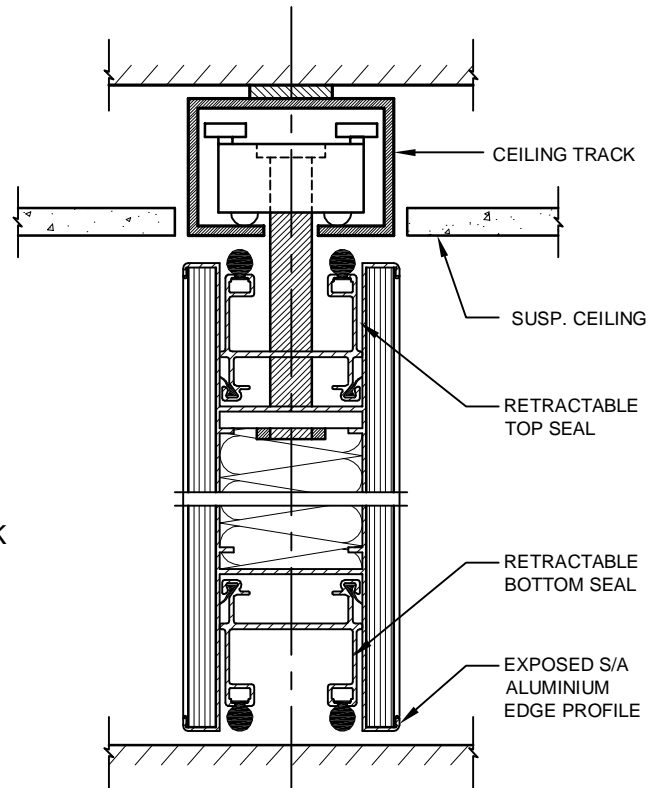


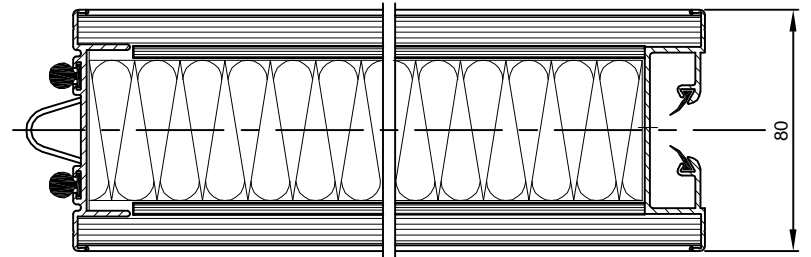
DETAILS OF PANEL - TYPE 80ME



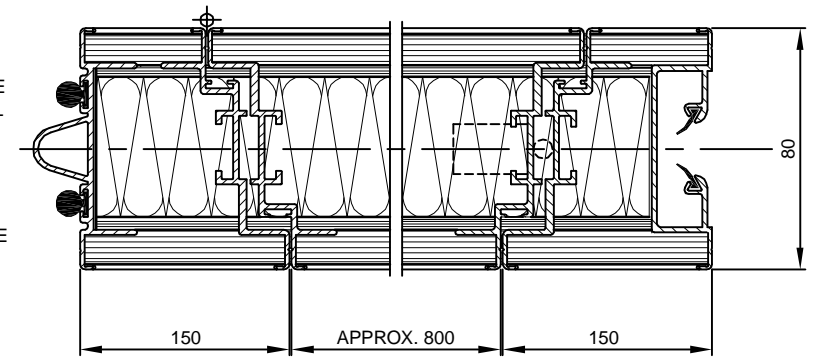
1. VERTICAL SECTION THROUGH CEILING TRACK



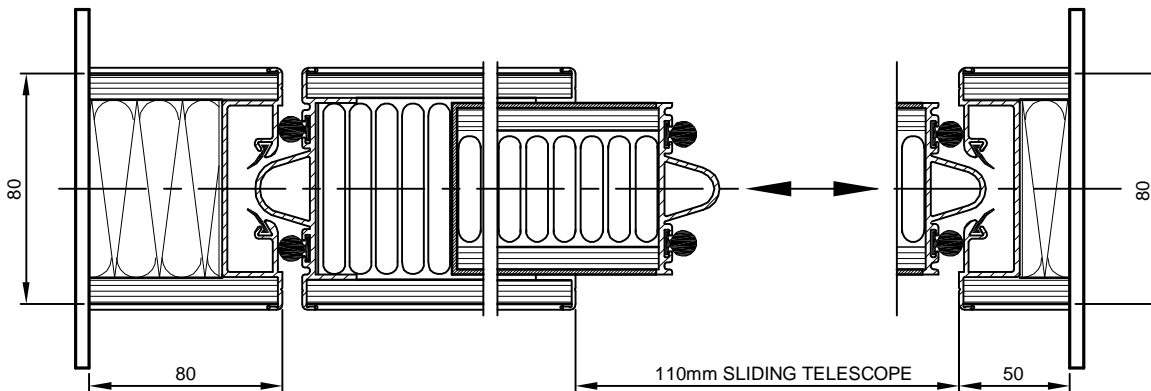
2. VERTICAL SECTION THROUGH STANDARD PANEL



3. HORIZONTAL SECTION THROUGH STANDARD PANEL

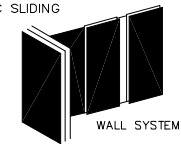


4. HORIZONTAL SECTION THROUGH INSET PASS DOOR PANEL



5. HORIZONTAL SECTION THROUGH TELESCOPIC PANEL AND WALL JAMBS

MOVAWALL
ACOUSTIC SLIDING



MOVAWALL SYSTEMS LTD

63 BARWELL BUSINESS PARK
LEATHERHEAD ROAD
CHESINGTON
SURREY
KT9 2NY

TELEPHONE: +44 (0) 20 8391 8790

FAX: +44 (0) 20 8391 8791

EMAIL: info@movawall.co.uk

DRG. NO.: SL - 801