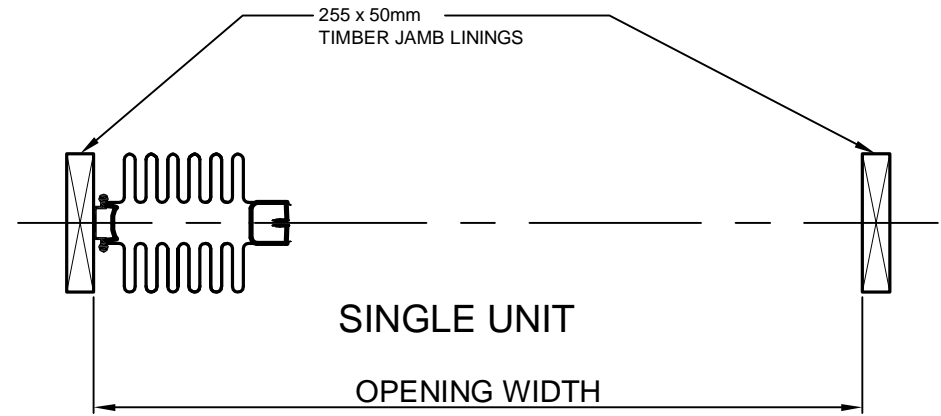
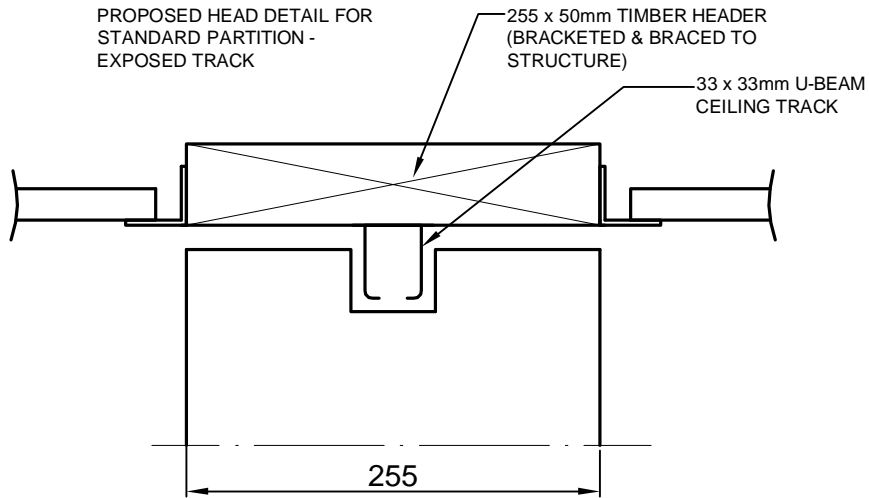
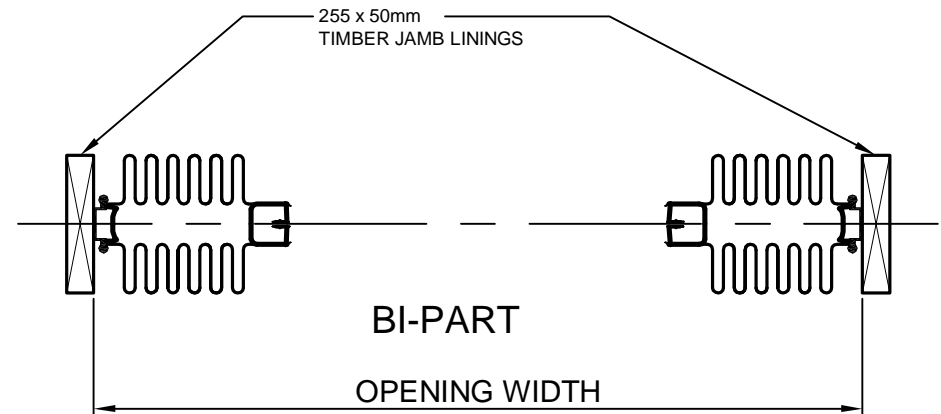
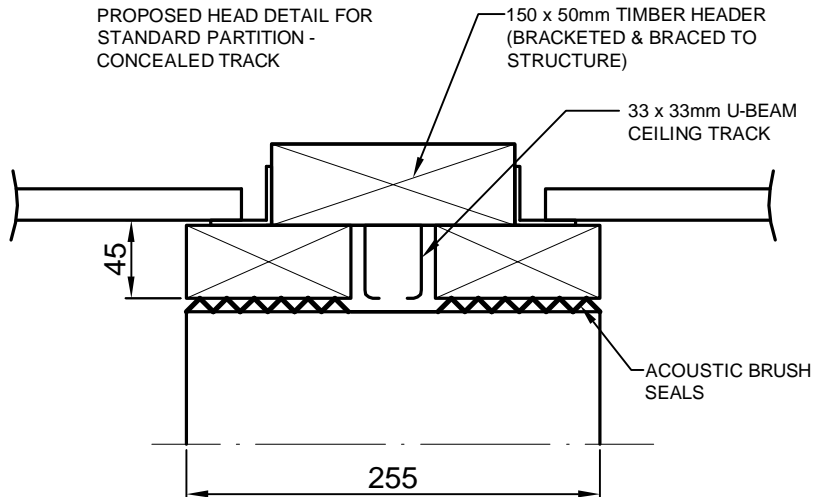


PROPOSED HEAD DETAIL FOR
STANDARD PARTITION -
EXPOSED TRACK



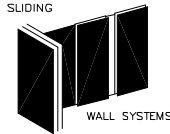
PROPOSED HEAD DETAIL FOR
STANDARD PARTITION -
CONCEALED TRACK



OPENING PREPARATION: TIMBER JAMB LININGS TO BE SET
SQUARE & PLUMB.

TIMBER HEADER MUST BE SET
LEVEL.

MOVAWALL
ACOUSTIC SLIDING



MOVAWALL SYSTEMS LTD

63 BARWELL BUSINESS PARK
LEATHERHEAD ROAD
CHESSINGTON
SURREY
KT9 2NY

TELEPHONE: +44 (0) 20 8391 8790

FAX: +44 (0) 20 8391 8791

EMAIL: info@movawall.co.uk

DRG.NO.:SL - 401/A