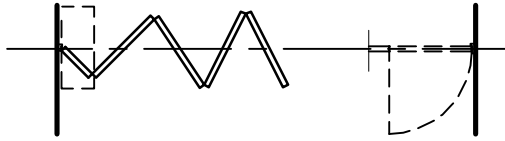
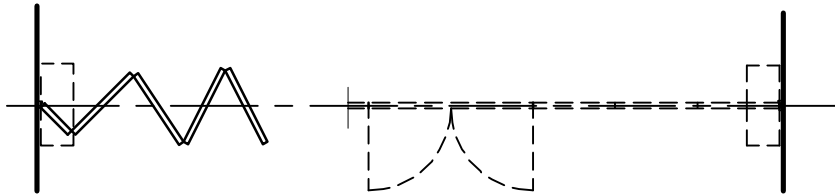


# DETAILS OF PANEL - TYPE 200 TOP HUNG

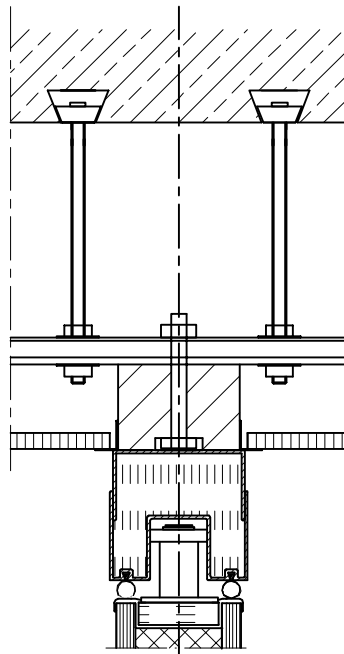


1. CENTRE FOLD - SINGLE.

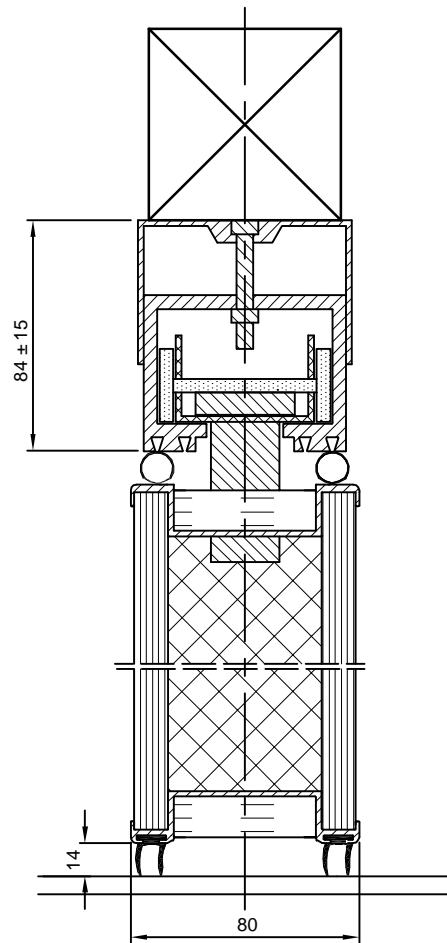


2. CENTRE FOLD - BI-PARTING

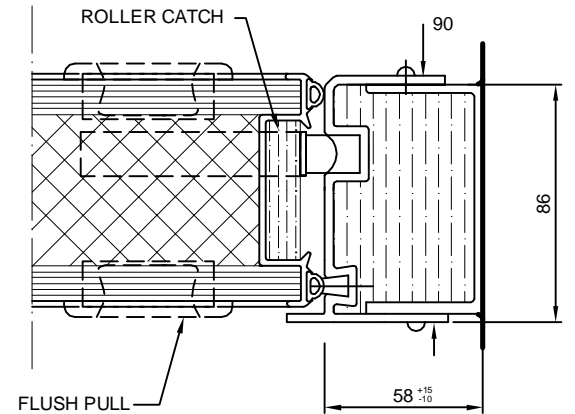
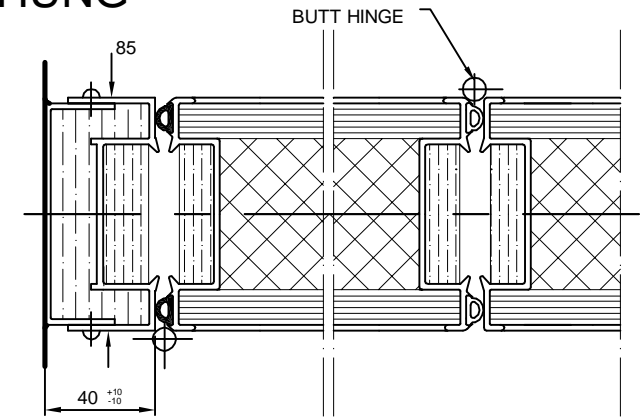
## LAYOUT TYPES



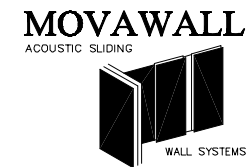
TYPICAL HEAD TRACK FIXING DETAIL



VERTICAL SECTION



HORIZONTAL SECTION - WALL JAMB



**MOVAWALL SYSTEMS LTD**  
 63 BARWELL BUSINESS PARK  
 LEATHERHEAD ROAD  
 CHESSINGTON  
 SURREY  
 KT9 2NY  
 TELEPHONE: +44 (0) 20 8391 8790  
 FAX: +44 (0) 20 8391 8791  
 EMAIL: [info@movawall.co.uk](mailto:info@movawall.co.uk)

DRG. NO.: SL - 203