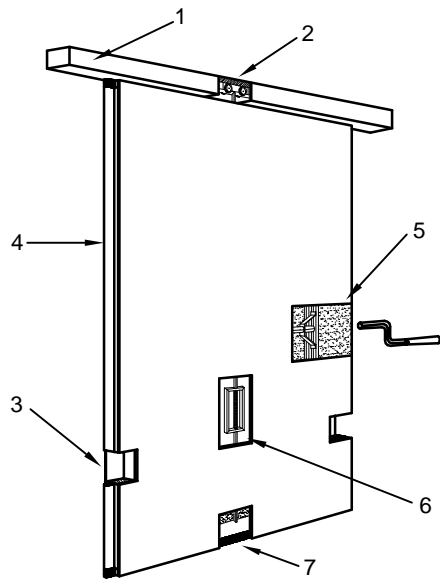
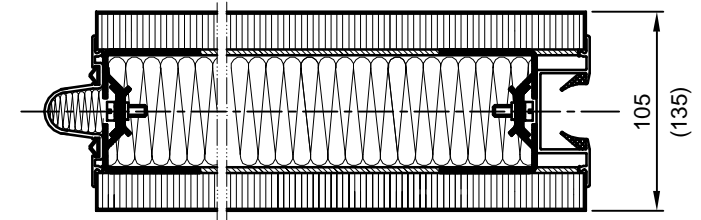
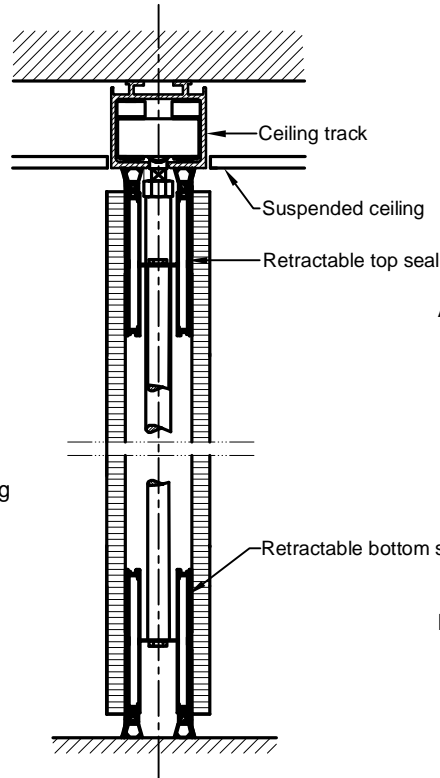


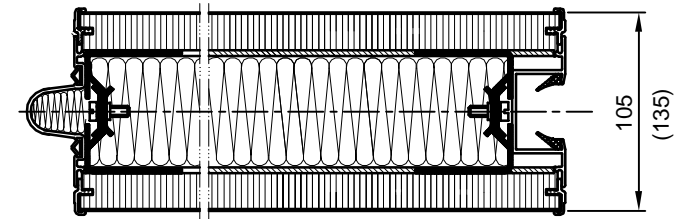
DETAILS OF PANEL - Type 100M (135M)



- 1. Ceiling Track
- 2. Trolley
- 3. Frame
- 4. Edge Profiles
- 5. Sealing Mech.
- 6. Sealing Spring
- 7. Top & Bottom Retractable Seals
- 8. Removable Winding Handle



A) concealed edge profile

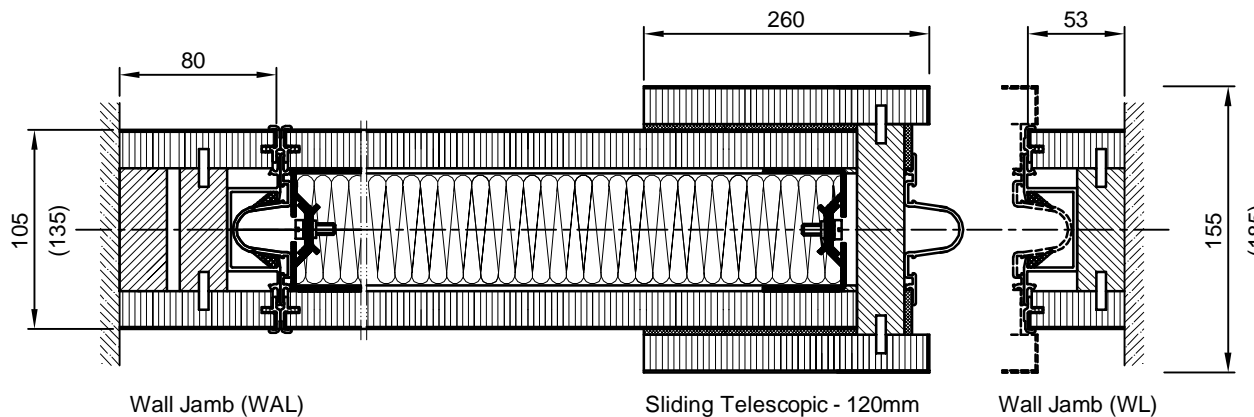


B) exposed edge protection profile

3. Horizontal section through Standard Panel (NE)

1. Standard Panel (NE) Type 100M

2. Vertical section through Standard Panel (NE)



Wall Jamb (WAL)

Sliding Telescopic - 120mm

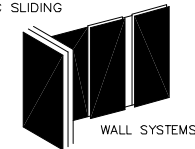
Wall Jamb (WL)

4. Horizontal section through Telescopic Panel (TE) and Wall Jambs (WL + WAL)

NOTES:

Dimensions in brackets = Type 135M

MOVAWALL
ACOUSTIC SLIDING



MOVAWALL SYSTEMS LTD

63 BARWELL BUSINESS PARK
LEATHERHEAD ROAD
CHESSINGTON
SURREY
KT9 2NY
TELEPHONE: +44 (0) 20 8391 8790
FAX: +44 (0) 20 8391 8791
EMAIL: info@movawall.co.uk

DRG. NO.: SL - 103