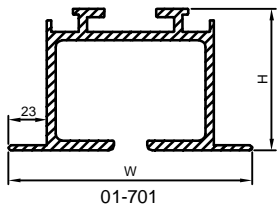
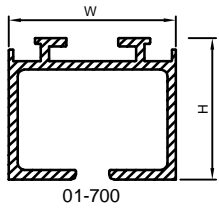
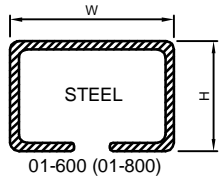
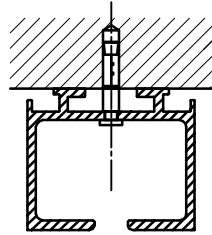
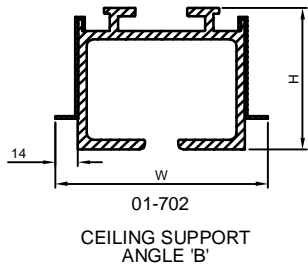


CEILING TRACK AND SOME EXAMPLES OF TRACK FIXINGS - TYPE 100

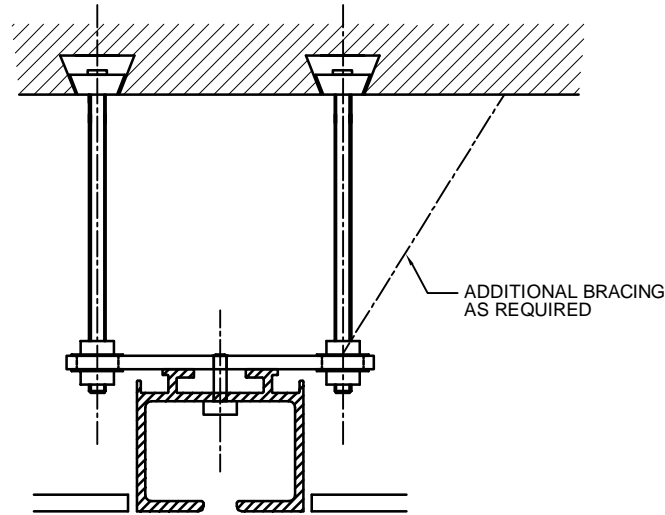
TYPE	H	W	MATERIAL
01-600	66	98	STEEL
01-700	85	100	ALUMINIUM
01-701	85	146	ALUMINIUM
01-702	85	128	ALUMINIUM
01-800	80	140	STEEL



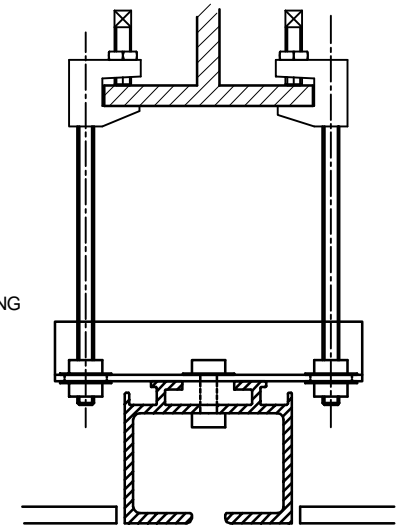
CEILING SUPPORT FLANGE
ANGLE 'A'



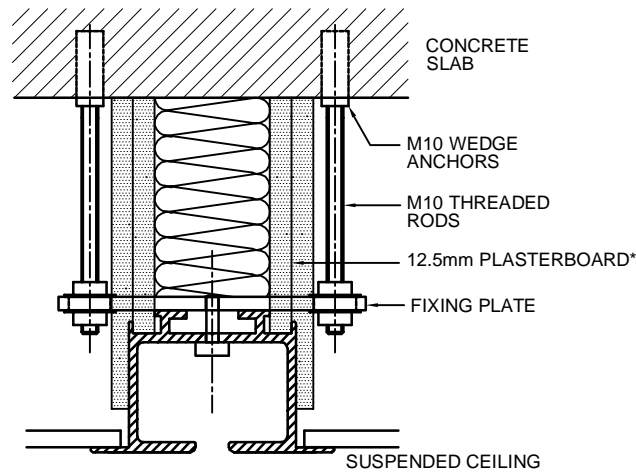
1. Fixed to solid
Concrete Soffit



2. Fixed to structural
Steel Tray



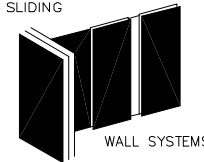
3. Fixed to Steel
Beam using
'Lindapter Clamps'



*FOR HIGH LEVELS OF
SOUND REDUCTION
2 DOUBLE SKIN OF
PLASTERBOARD REQUIRED

4. Ceiling Void
Baffle

MOVAWALL
ACOUSTIC SLIDING



MOVAWALL SYSTEMS LTD

63 BARWELL BUSINESS PARK
LEATHERHEAD ROAD
CHESSINGTON
SURREY
KT9 2NY

TELEPHONE: +44 (0) 20 8391 8790

FAX: +44 (0) 20 8391 8791

EMAIL: info@movawall.co.uk

DRG. NO.: SL - 102