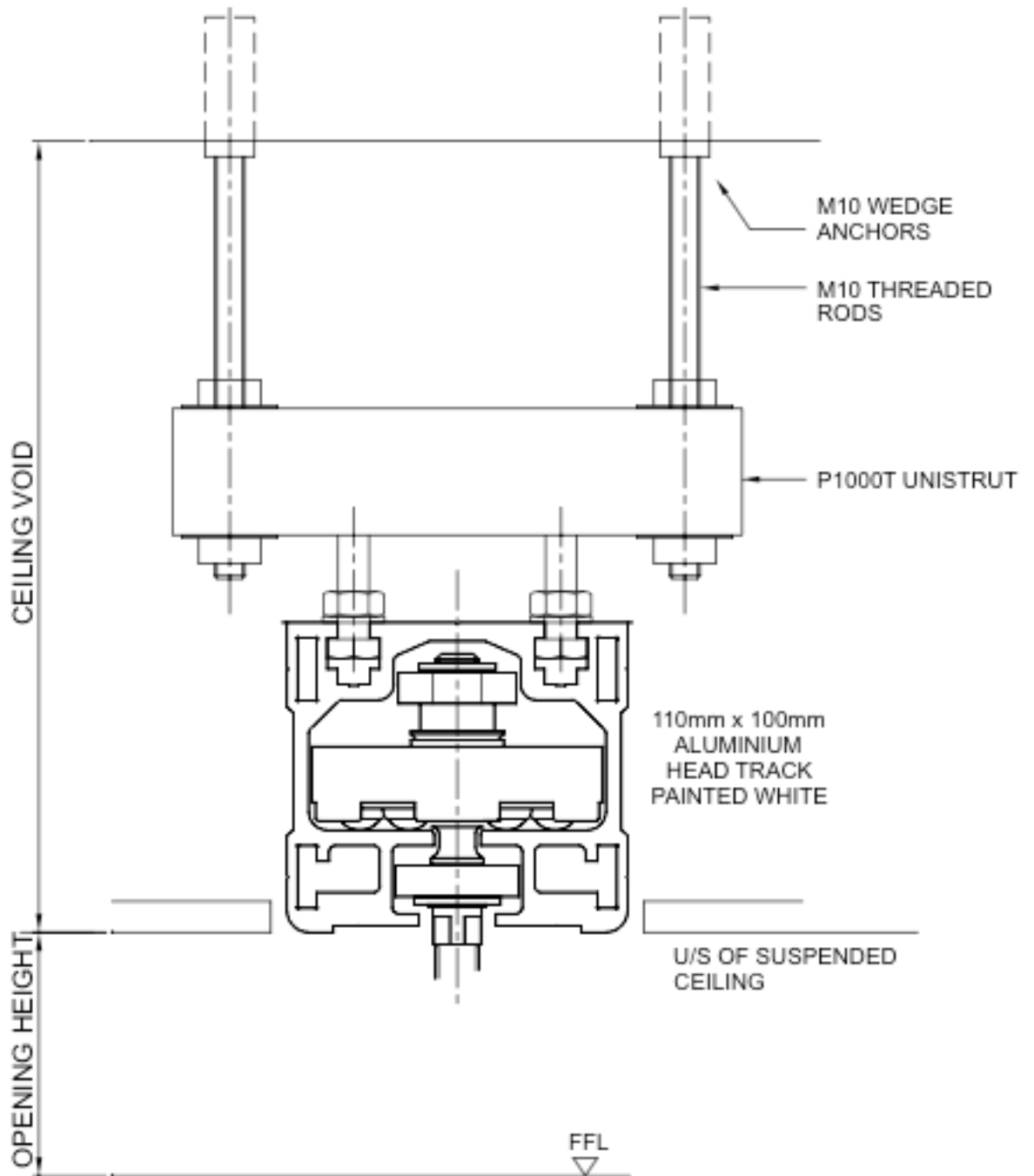


CONCRETE SLAB



Drwg. title.: **TYPE GG FULLY GLAZED SYSTEM CEILING TRACK FIXING DETAIL TO CONCRETE SLAB**



MOVAWALL SYSTEMS LTD
63 BARWELL BUSINESS PARK
LEATHERHEAD ROAD
CHESSINGTON
SURREY
KT9 2NY
TELEPHONE: +44 (0) 20 8391 8790
FAX: +44 (0) 20 8391 8791
EMAIL: info@movawall.co.uk

Scale.:
1:2

Drwg No.:
GG-FIX-01

Drawn By.:
AK

Date:
06/0