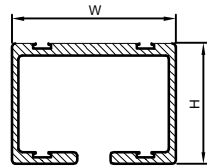
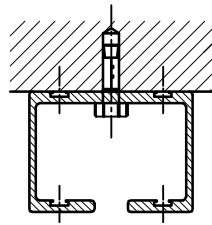


CEILING TRACK AND SOME EXAMPLES OF TRACK FIXINGS - TYPE 80

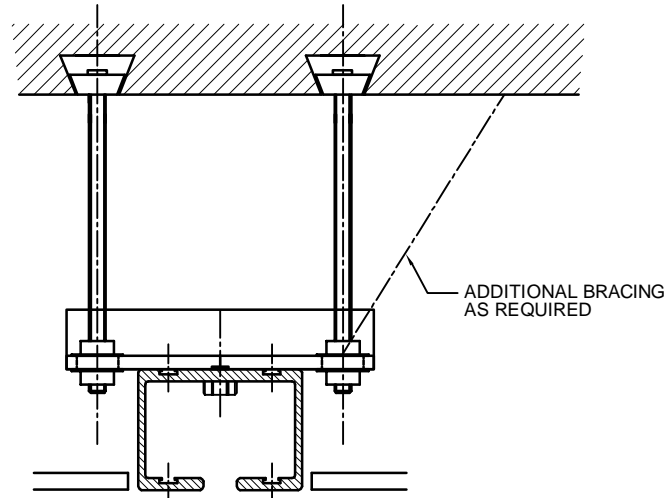
TYPE	H	W	MATERIAL
XXX	72	98	ALUMINIUM



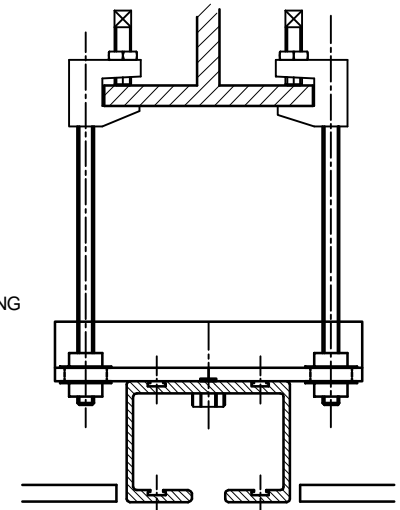
ALUMINIUM REFERENCE



1. Fixed to solid Concrete Soffit

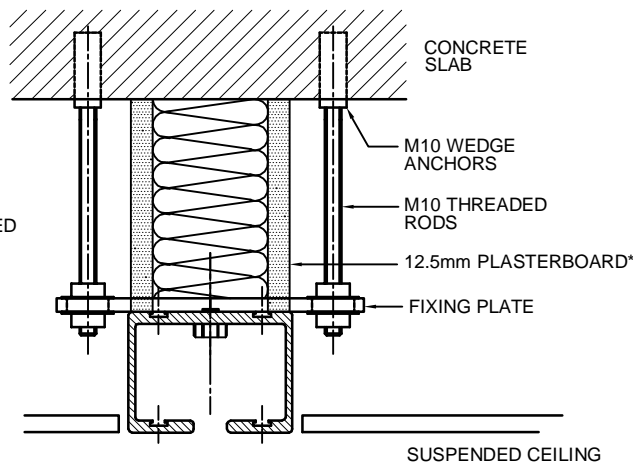


2. Fixed to structural Steel Tray

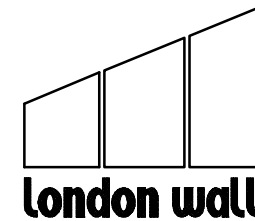


3. Fixed to Steel Beam using 'Lindapter Clamps'

*FOR HIGH LEVELS OF SOUND REDUCTION 2 DOUBLE SKIN OF PLASTERBOARD REQUIRED



4. Ceiling Void Baffle



London Wall Design Ltd
 63 Barwell Business Park
 Leatherhead Road
 Chessington, Surrey KT9 2NY
 Tel : +44 (0) 20 8391 8750
 Fax : + 44 (0) 20 8391 8751
 E-Mail : Sales@londonwall.co.uk

DRG. NO.: SL - 802