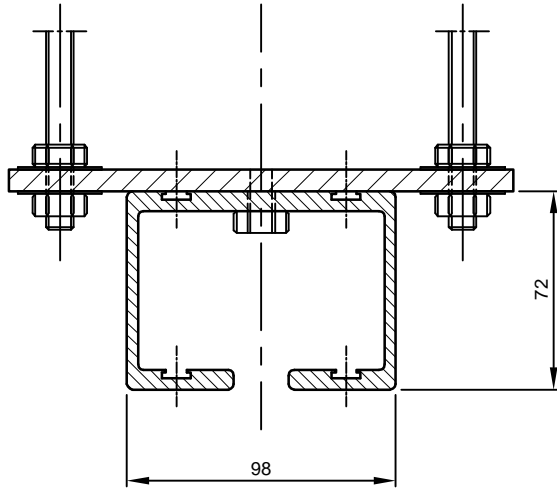
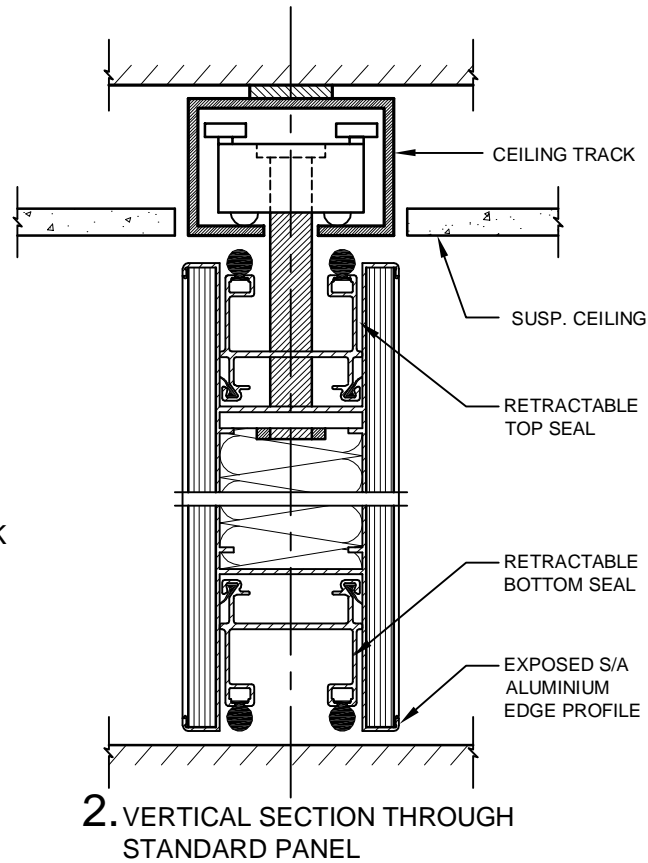


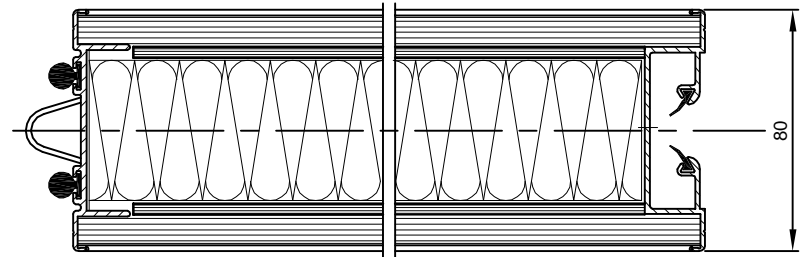
# DETAILS OF PANEL - TYPE 80ME



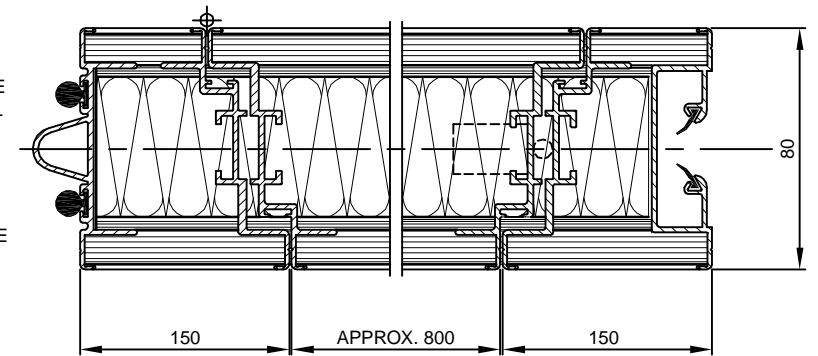
1. VERTICAL SECTION THROUGH CEILING TRACK



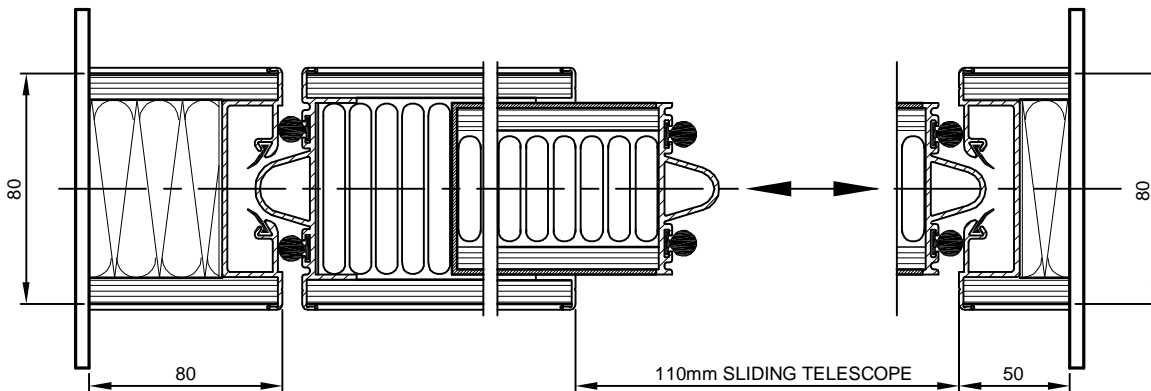
2. VERTICAL SECTION THROUGH STANDARD PANEL



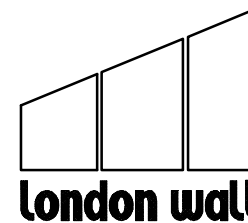
3. HORIZONTAL SECTION THROUGH STANDARD PANEL



4. HORIZONTAL SECTION THROUGH INSET PASS DOOR PANEL



5. HORIZONTAL SECTION THROUGH TELESCOPIC PANEL AND WALL JAMBS



**London Wall Design Ltd**  
 63 Barwell Business Park  
 Leatherhead Road  
 Chessington, Surrey KT9 2NY  
 Tel : +44 (0) 20 8391 8750  
 Fax : + 44 (0) 20 8391 8751  
 E-Mail : [Sales@londonwall.co.uk](mailto:Sales@londonwall.co.uk)

**london wall**

DRG. NO.: SL - 801