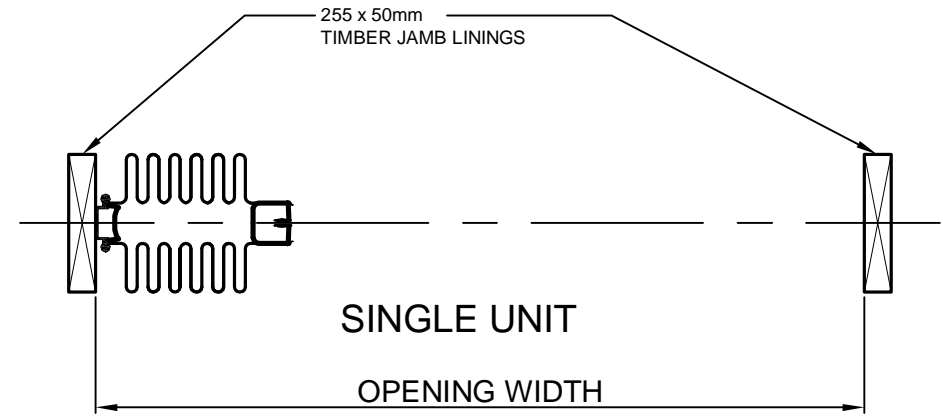
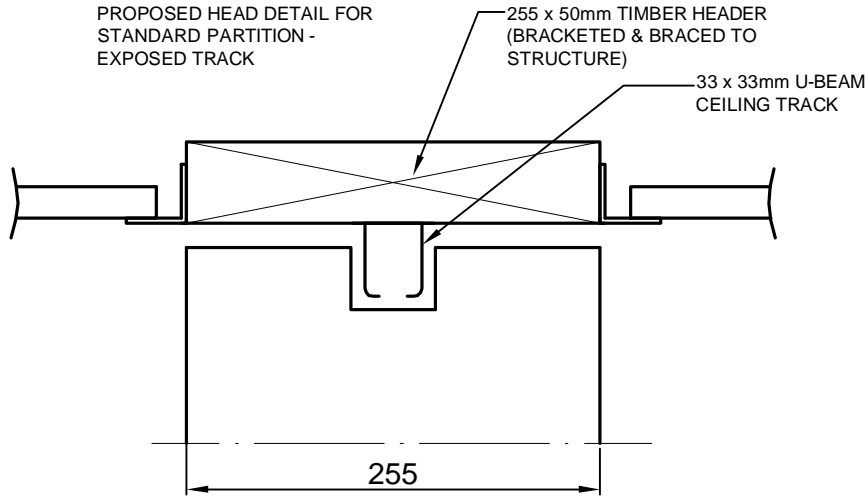
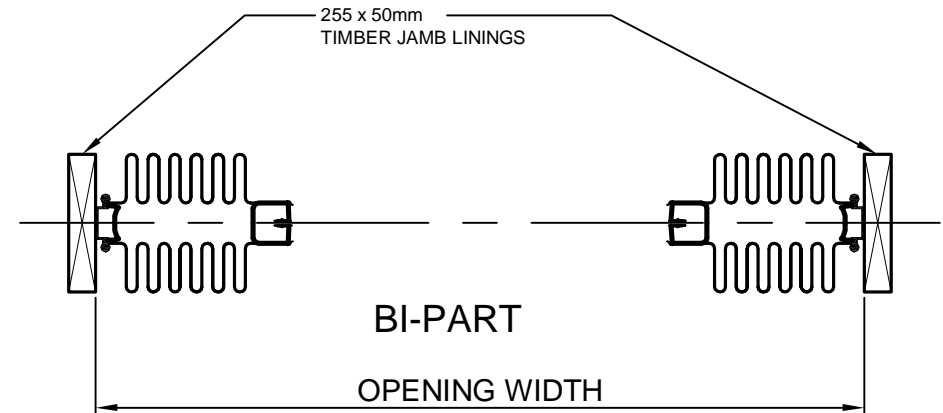
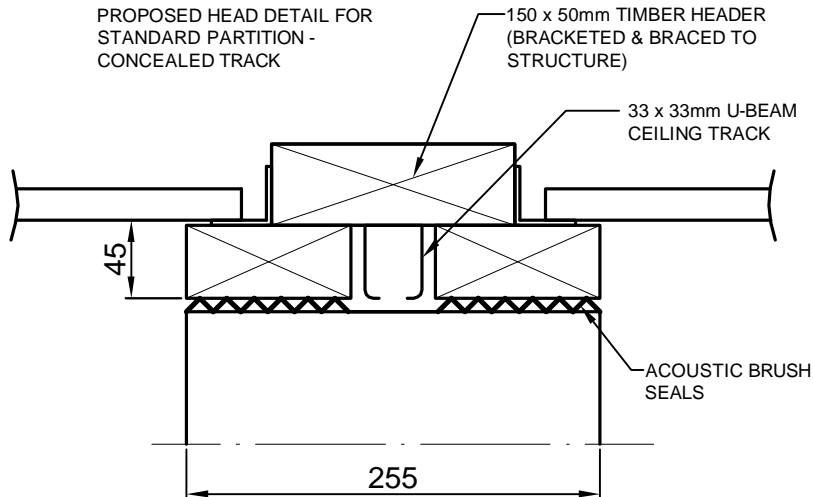


PROPOSED HEAD DETAIL FOR
STANDARD PARTITION -
EXPOSED TRACK

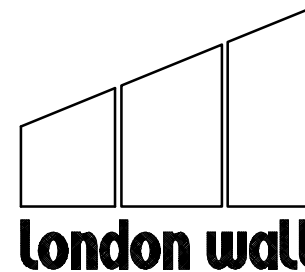


PROPOSED HEAD DETAIL FOR
STANDARD PARTITION -
CONCEALED TRACK



OPENING PREPARATION: TIMBER JAMB LININGS TO BE SET
SQUARE & PLUMB.

TIMBER HEADER MUST BE SET
LEVEL.



London Wall Design Ltd

63 Barwell Business Park

Leatherhead Road

Chessington, Surrey KT9 2NY

Tel : +44 (0) 20 8391 8750

Fax : + 44 (0) 20 8391 8751

E-Mail : Technical@londonwall.co.uk