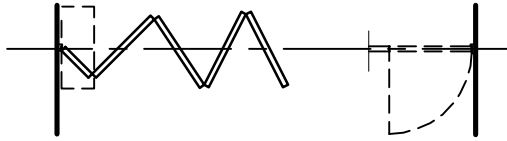
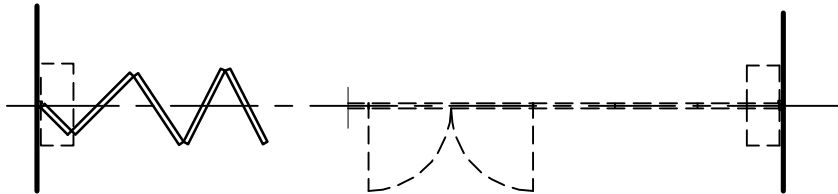


# DETAILS OF PANEL - TYPE 200 TOP HUNG

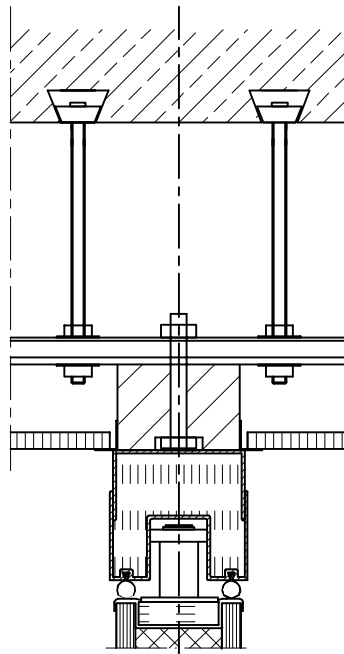


1. CENTRE FOLD - SINGLE.

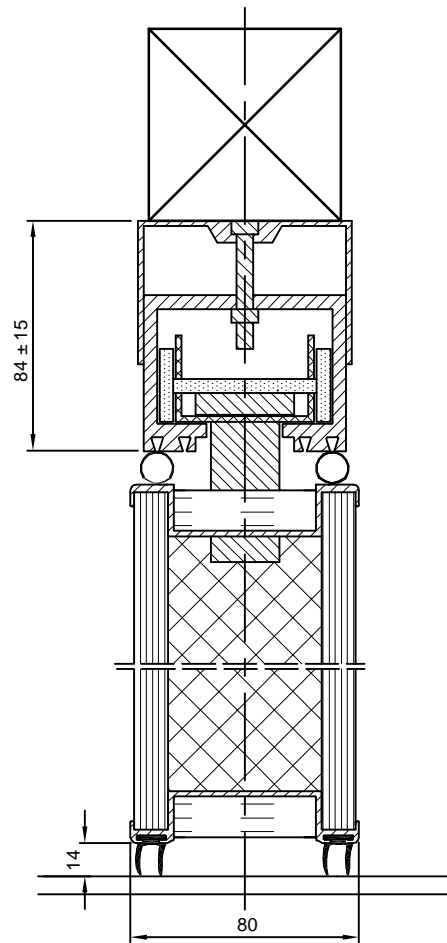


2. CENTRE FOLD - BI-PARTING

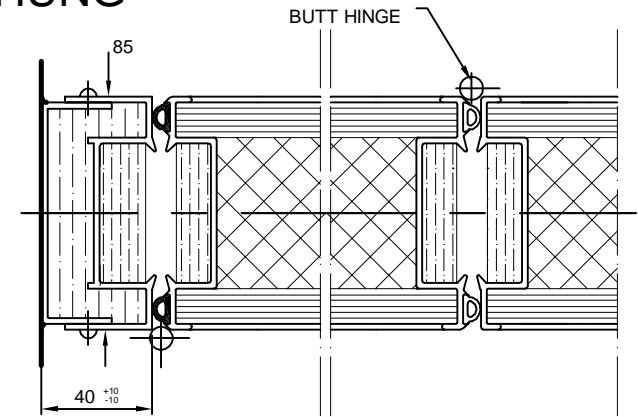
## LAYOUT TYPES



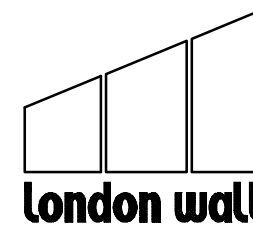
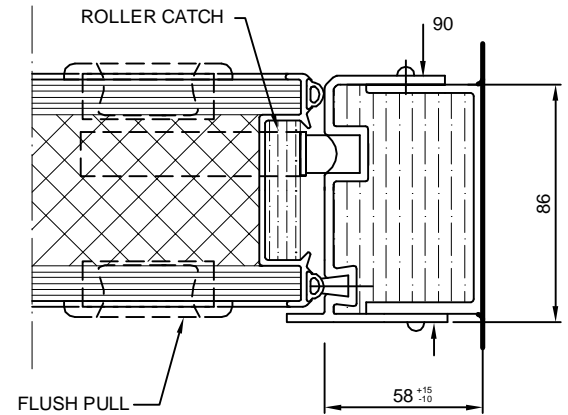
TYPICAL HEAD TRACK FIXING DETAIL



VERTICAL SECTION



HORIZONTAL SECTION - WALL JAMB



London Wall Design Ltd  
 63 Barwell Business Park  
 Leatherhead Road  
 Chessington, Surrey KT9 2NY  
 Tel : +44 (0) 20 8391 8750  
 Fax : + 44 (0) 20 8391 8751  
 E-Mail : [Sales@londonwall.co.uk](mailto:Sales@londonwall.co.uk)

DRG. NO.: SL - 203