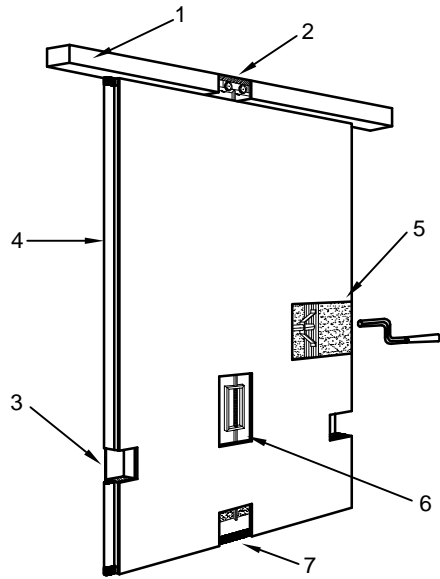
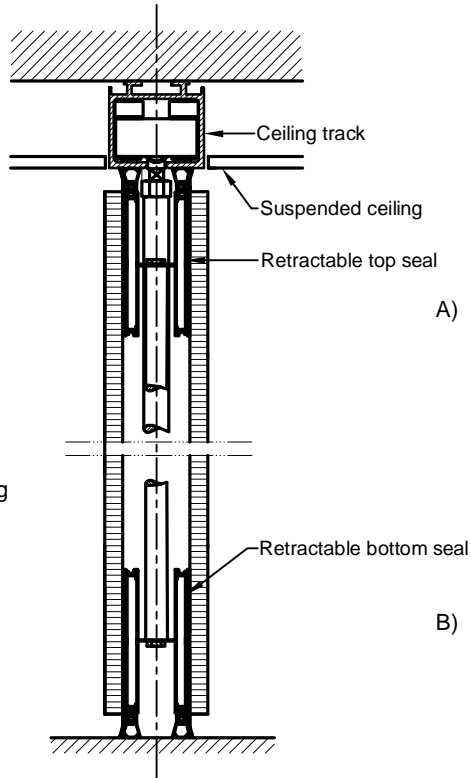


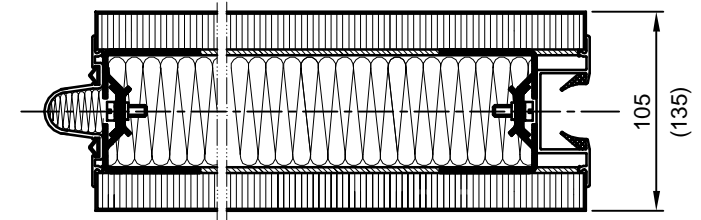
DETAILS OF PANEL - Type 100M (135M)



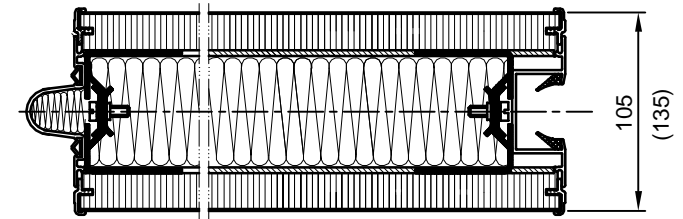
1. Standard Panel (NE) Type 100M



2. Vertical section through Standard Panel (NE)

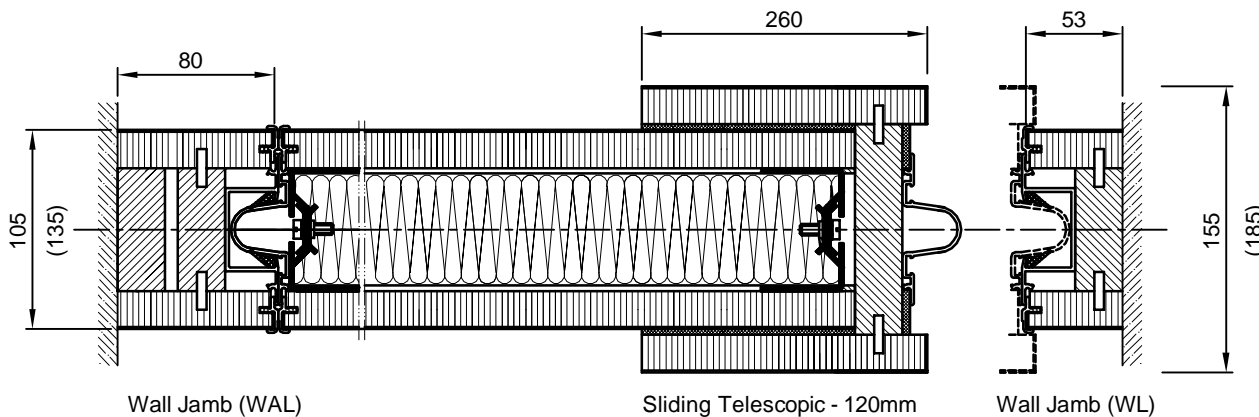


A) concealed edge profile



B) exposed edge protection profile

3. Horizontal section through Standard Panel (NE)



Wall Jamb (WAL)

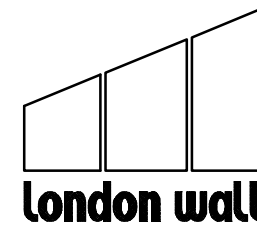
Sliding Telescopic - 120mm

Wall Jamb (WL)

4. Horizontal section through Telescopic Panel (TE) and Wall Jambs (WL + WAL)

NOTES:

Dimensions in brackets = Type 135M



London Wall Design Ltd

63 Barwell Business Park
 Leatherhead Road
 Chessington, Surrey KT9 2NY
 Tel : +44 (0) 20 8391 8750
 Fax : + 44 (0) 20 8391 8751
 E-Mail : Sales@londonwall.co.uk

DRG. NO.: SL - 103