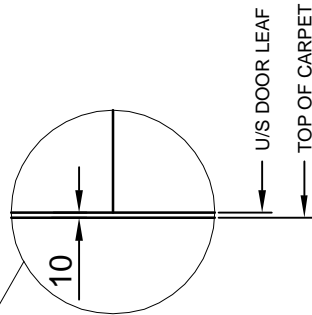


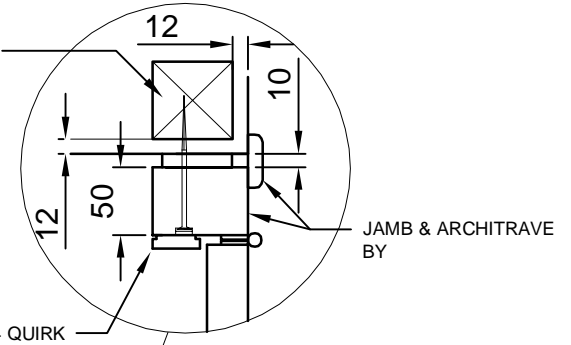
TOP OF DOOR LEAF
U/S OF SUSPENDED CEILING
TOP OF FLAP LEAF

3 BUTT HINGES @ 3No. POSITIONS (FINISH TBA)

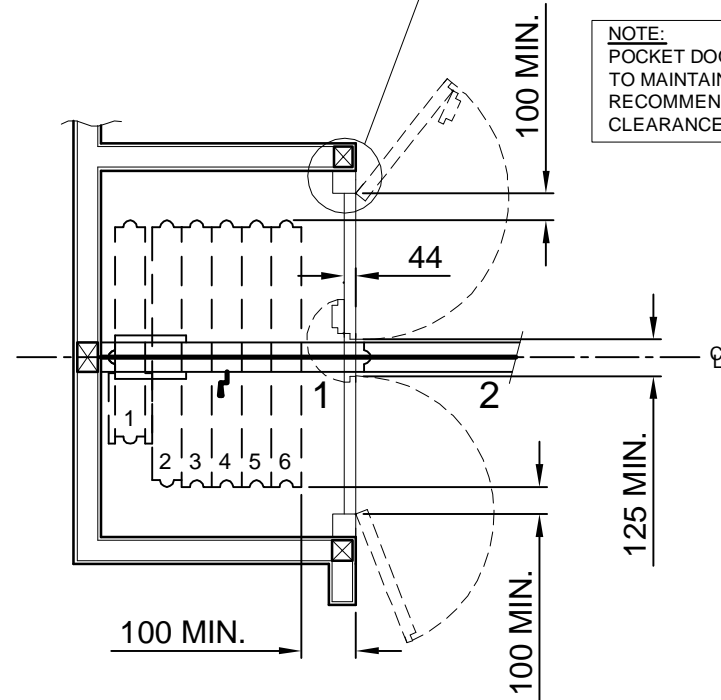
FLOOR SOCKETS AS REQUIRED



FULL HEIGHT TIMBER POST BY OTHERS SECURED TOP AND BOTTOM TO ACCEPT OUR JAMB (TYPICAL FOR ALL NIBS)

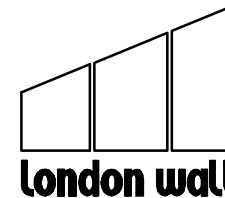


NOTE:
POCKET DOORS TO FOLD OPEN TO MAINTAIN MINIMUM RECOMMENDED FINGER CLEARANCES SHOWN



Drg.title.:

TYPE 100M
TYPICAL POCKET DOOR
DETAILS FOR
E-TRACK SYSTEMS



London Wall Design Ltd
63 Barwell Business Park
Leatherhead Road
Cheshington, Surrey KT9 2NY
Tel : +44 (0) 20 8391 8750
Fax : + 44 (0) 20 8391 8751
E-Mail : Sales@londonwall.co.uk

Scale.:
NTS

Drg No.:

100M - 04

Drawn By.:

AK

Date.:

06/02