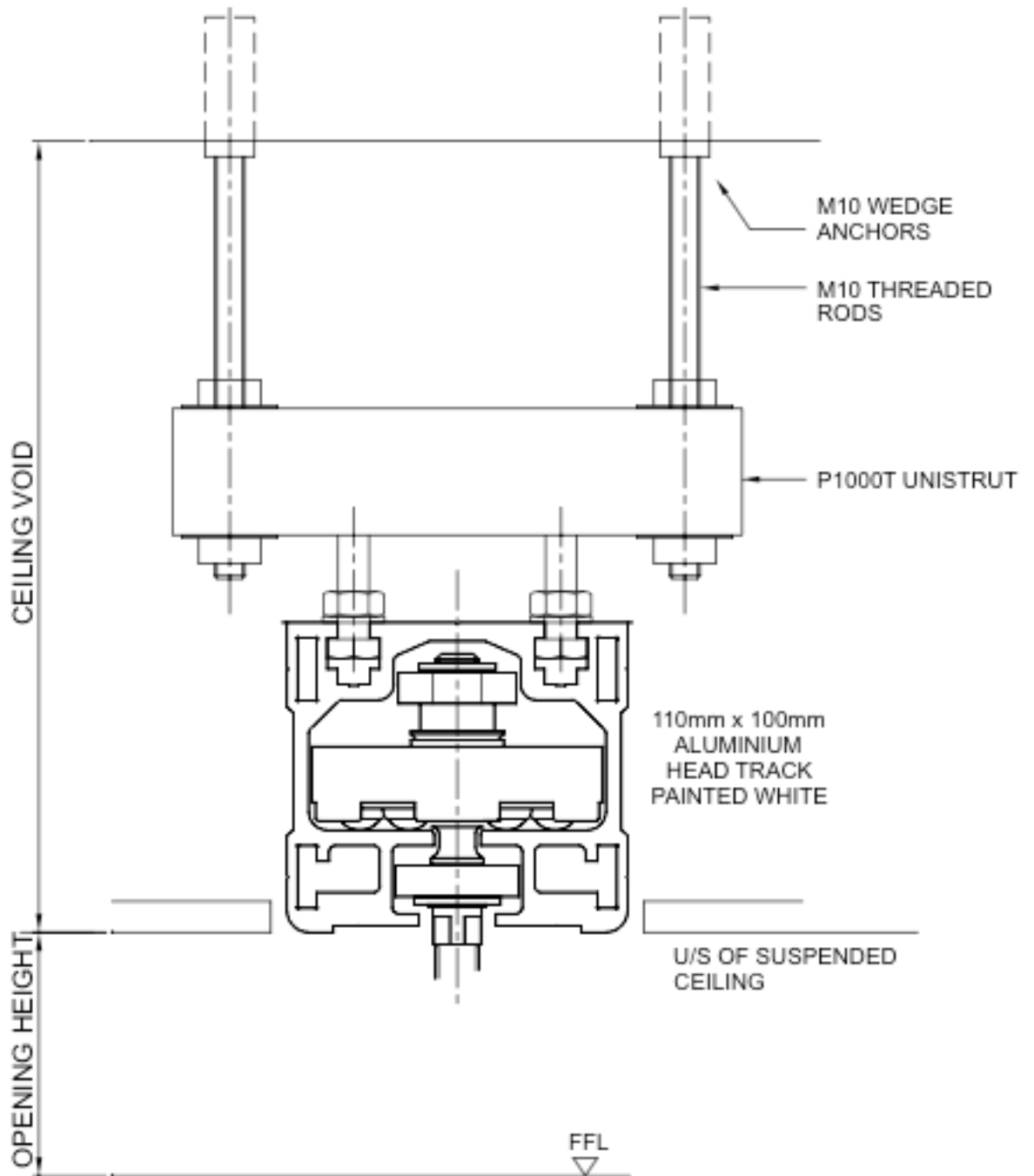


CONCRETE SLAB



Drg.title.: **TYPE GG FULLY
GLAZED SYSTEM
CEILING TRACK FIXING
DETAIL TO CONCRETE SLAB**



London Wall Design Ltd
63 Barwell Business Park
Leatherhead Road
Chessington, Surrey KT9 2NY
Tel : +44 (0) 20 8391 8750
Fax : +44 (0) 20 8391 8751
E-Mail : Sales@londonwall.co.uk

Scale.:
1:2

Drg No.:
GG-FIX-01

Drawn By.:
AK

Date:
06/0